



RANGE OF SCREW COMPRESSORS 7,5-200 Kw iCD

**DIRECT TRANSMISSION, VARIABLE SPEED
WITH PERMANENT MAGNET MOTOR**





I.E.S (Innovative Energy Solutions)

Twenty years of experience acquired in the field of compressed air have allowed IES to plan a complete range of systems for supplying compressed air: plants for production, treatment and distribution, particularly innovative and elegant, which combine the merits of quality and reliability with a particular attention to the user's requirements.

As well as offering a complete range of technological solutions for compressed air production, IES is committed to understanding your sector, your requirements and your production and service needs, to ensure you of the best solutions for achieving your business.

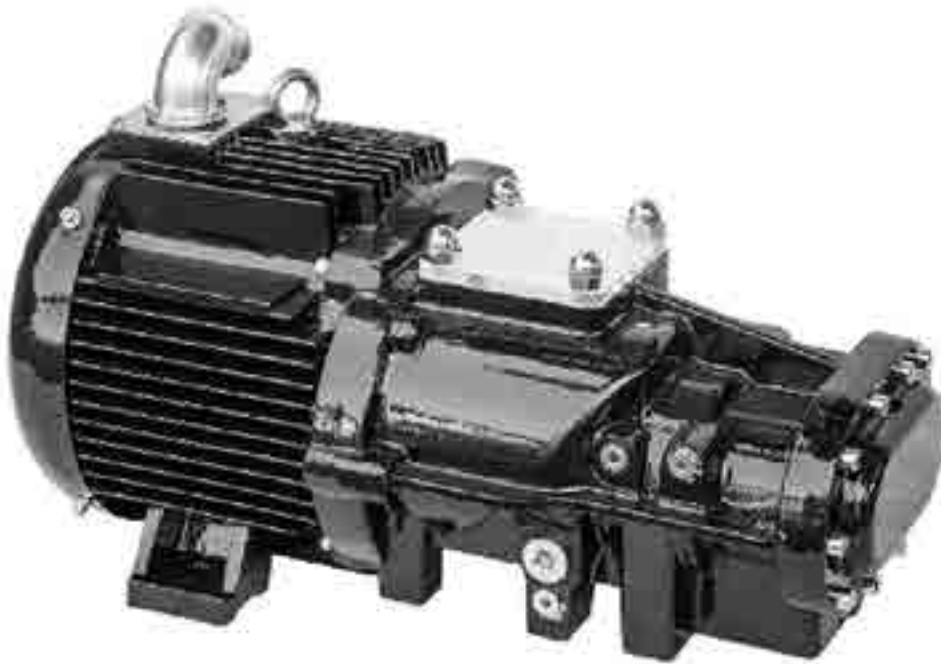
Energy saving is the inspiring principle of our design: IES innovative products are based on sustainability, creating an opportunity to guarantee new solutions for long-term business strategies.

The new iCD range of innovative screw compressors opens a new generation in the compressed air sector.

Complete with frequency converter for operation at variable speed and equipped with a motor with permanent magnet technology, it allows energy saving of as much as 50% while maintaining great reliability and excellent performance in extremely harsh environmental conditions.



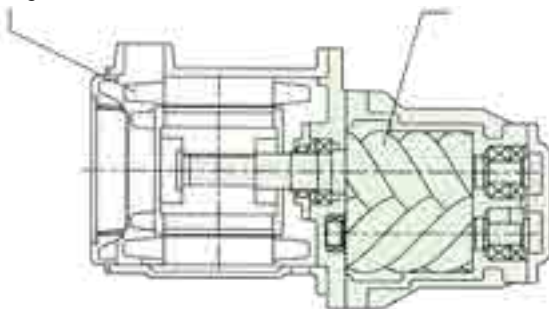
The iCD range offers numerous innovative characteristics that allow low working costs thanks to the combination of synchronous motors with permanent magnets and frequency converters, the most innovative technology today in variable-speed electrical controls.



The permanent magnet motor that directly drives the compressor does not have any bearings, flexible couplings or sealing gaskets for the motor shaft, thus eliminating all parts subject to wear, leakage and replacement.

Permanent magnet motor

Airend



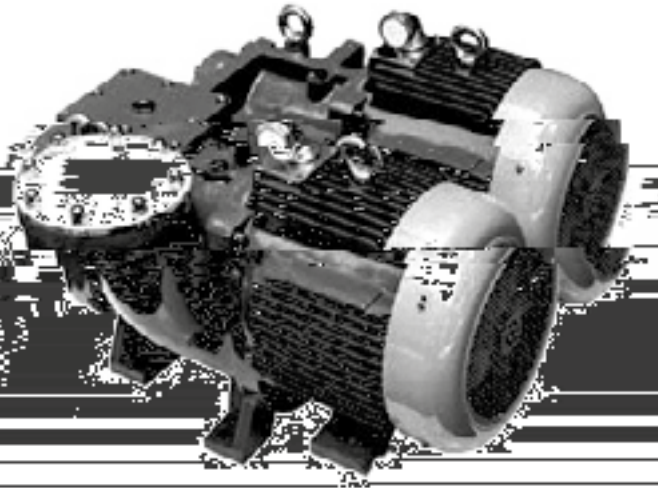
The use of a frequency converter allows:

- Variation of the motor and of the compressor speed, adapting to the demand for compressed air;
- Variation of the air pressure selection value between 6 and 10 BAR;
- Constant variation of compressed air production between 20 and 100% of the compressor capacity, allowing a

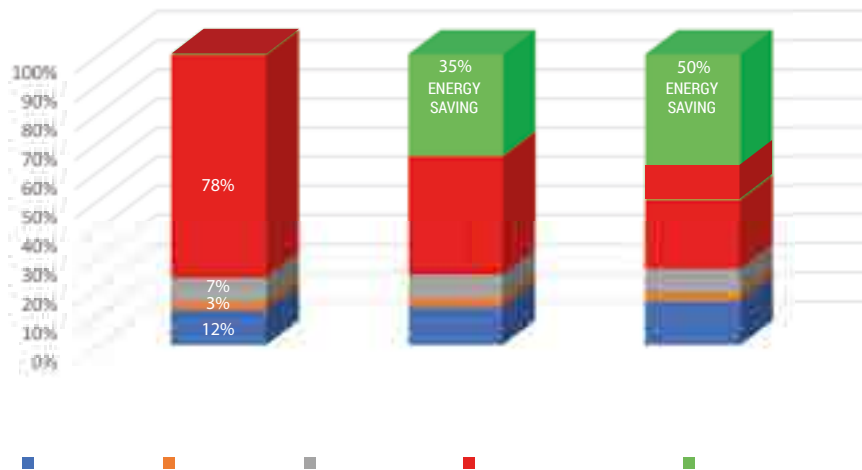
- ① able to remove the smallest particles of dust, the large surface ensures a long life and minimum pressure loss.
- ② Single screw-motor element with permanent magnets produced for maximum efficiency and excellent reliability.
- ③ Low-speed radial fan able to generate a high flow of cooling air while maintaining low noise.
- ④ Air/oil radiator abundantly sized to ensure optimum working temperatures in any environmental condition, easy to clean.
- ⑤ able to ensure an impurity residue of 2 ppm, reducing maintenance times.
- ⑥ Air/oil separator tank, the exclusive cyclone technology guarantees a pre-separation efficiency of more than 99.9%. Provided with optional oil heater..
- ⑦ Vector type speed varying inverter with exceptional features for energy saving



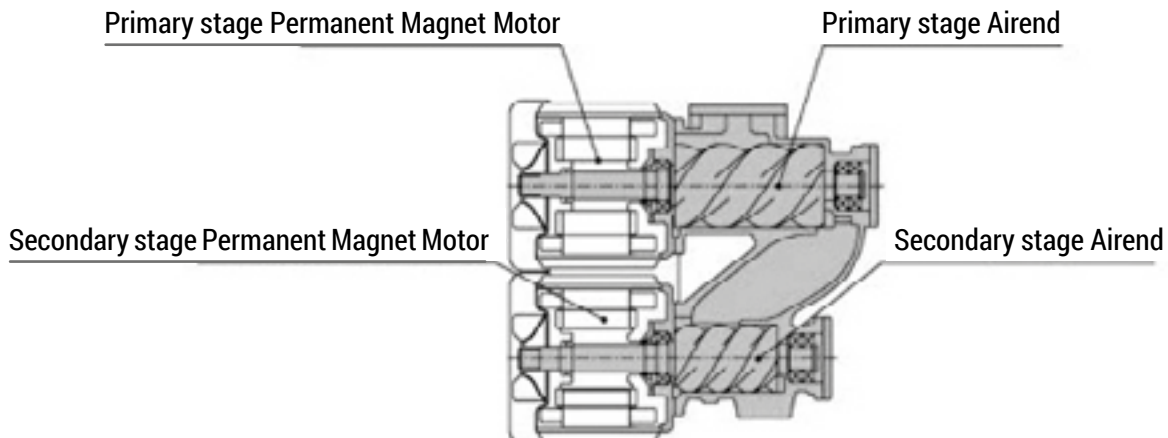
Horizontal type two-stage compression with two permanent magnet gearless motors



- Constant pressure between the two stages
- No gear problems
- No engine-screw coupling problems
- No problem with motor bearings



Thanks to the efficiency of permanent magnet motors and variable speed we can achieve an energy saving of up to 50% compared to a fixed-speed compressor.





Easy to use thanks to the user-friendly touch screen.

Maximum ease of intervention, complete and easy access to all internal components.

Monitoring and follow-up

“E-VOLUTION” control unit designed for easy control of your IES compressors. Newest technology for your quiet monitoring of compressed air demand.

- Full-color touchscreen
- Ongoing monitoring of operations and maintenance requirements
- Complete menu in 12 languages
- Integrated connectivity enables remote monitoring
- Performance and maintenance always under control from PC, tablet and mobile devices.

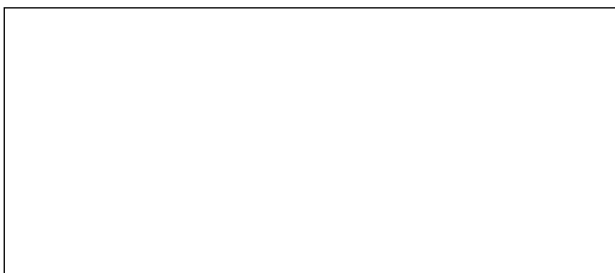




IES



i e s



IES S.r.l.

Via M. Kolbe, 15
37045 Legnago (VR) – ITALY
Operational Headquarters
Via del Lavoro, 19
37030 Terrossa di Roncà (VR) – ITALY
Tel. +39 045 7460775

email: info@iesair.com www.iesair.com

